



A4

TYPICAL APPLICATIONS Vacuum cleaners, HVAC

- FUNCTIONS**
- SPST, momentary or not
 - DPST, illuminated or not
 - DPCO
 - DPDT, momentary or not

CYCLE No. 50.000

CUT OUT 19x22 mm

AMBIENT TEMPERATURE 125 °C

GWT 850 °C

GWT NO FLAME (<2sec) 750 °C on demand

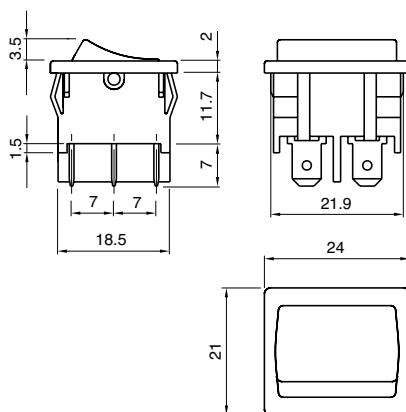


A 4

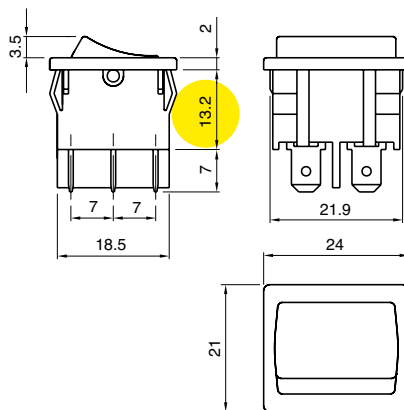
DRAWING



WATERPROOF CAP



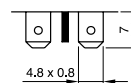
Function 9



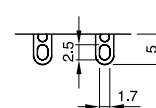
?

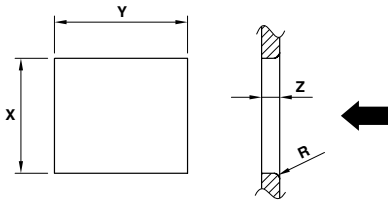
TERMINAL

1



2





Z	Y	X
0,7 ... 1,25	22,0 ±0,1	19,0 ±0,2
1,25 ... 2,0	22,0 ±0,1	19,3 ±0,2
2,0 ... 3,0	22,0 ±0,1	19,6 ±0,2

TERMINAL	FUNCTION	RATING	BODY COLOUR	ROCKER COLOUR	MARKING COLOUR	MARKING
A	4					0 0 0

?	?	?	?	?	?	0	0	0
---	---	---	---	---	---	---	---	---

FUNCTION RATING BODY COLOUR ROCKER COLOUR MARKING COLOUR MARKING

1

2

4

8

9

L

M

2

Function 4 - M
6 (2) A / 250 VAC
3 (1) A / 250 VAC - 5E4
T125/55 °C - T125 °C
EN 61058

6 A - 125 / 250 VAC
 1/6 HP - 250 VAC
 1/10 HP - 125 VAC
 T105 °C
 UL 1054
 CSA C22.2

3

Function 1 - 2 - L - 8
10 (4) A / 250 VAC
6 (4) A / 250 VAC - 5E4
T125/55 °C - T125 °C
EN 61058

10 A - 125 / 250 VAC
 1/3 HP - 125 VAC
 1/2 HP - 250 VAC
 T105 °C
 UL 1054
 CSA C22.2

6

Function 9
10 (2) A / 250 VAC
6 (1) A / 250 VAC - 5E4
T125/55 °C - T125 °C
μ disconnection
EN 61058

6 A - 125 / 250 VAC
 1/8 HP - 125 VAC
 1/6 HP - 250 VAC
 T105 °C
 UL 1054
 CSA C22.2

B

Function 2
13 (4) A / 250 VAC
8 (8) A / 250 VAC - 5E4
T125/55 °C - T125 °C
EN 61058

15 A / 125 VAC
 10 A / 250 VAC
 1/3 HP - 125 VAC
 1/2 HP - 250 VAC
 T105 °C
 UL 1054
 CSA C22.2

Function 9
13 (4) A / 250 VAC
6 (4) A / 250 VAC - 5E4
T125/55 °C - T125 °C
μ disconnection
EN 61058

15 A / 125 VAC
 10 A / 250 VAC
 1/3 HP - 125 VAC
 1/2 HP - 250 VAC
 T105 °C
 UL 1054
 CSA C22.2

1 black

2 white

X custom

1 black

2 white

ILLUMINATED

G red

H orange

E green

L white

X custom

0 none

1 black

2 white

5 grey

7 light blue

8 red

9 orange

X custom

0

1

2

3

5

9

C

K

N

Z

X



A4

TYPICAL APPLICATIONS Vacuum cleaners, HVAC

FUNCTIONS ■ DPST, illuminated or not
■ DPDT

CYCLE No. 50.000

CUT OUT 19x22 mm

AMBIENT TEMPERATURE 125 °C

GWT 850 °C

GWT NO FLAME (<2sec) 750 °C on demand



A

4

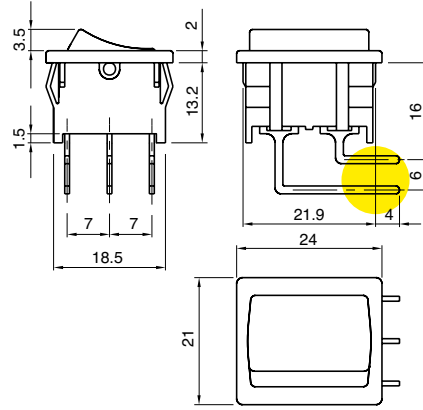
DRAWING

?

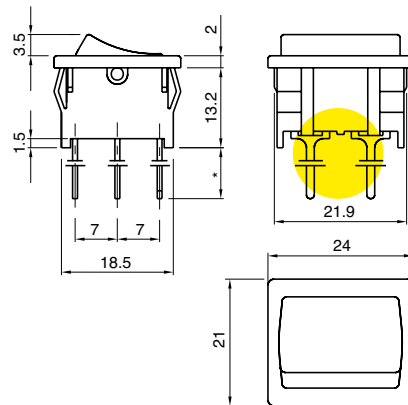
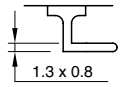
TERMINAL



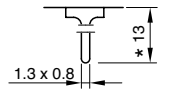
WATERPROOF CAP



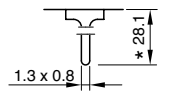
C

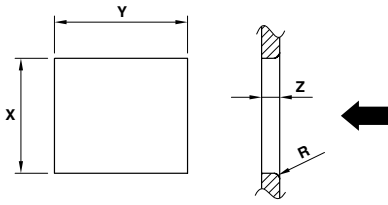


5



6



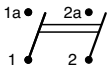


Z	Y	X
0,7 ... 1,25	22,0 ±0,1	19,0 ±0,2
1,25 ... 2,0	22,0 ±0,1	19,3 ±0,2
2,0 ... 3,0	22,0 ±0,1	19,6 ±0,2

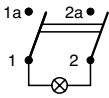
TERMINAL	FUNCTION	RATING	BODY COLOUR	ROCKER COLOUR	MARKING COLOUR	MARKING
A	4					0 0 0

?	?	?	?	?	?	0	0	0
FUNCTION	RATING	BODY COLOUR	ROCKER COLOUR	MARKING COLOUR	MARKING			

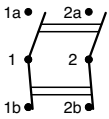
2 Terminal C - 6



8 Terminal C



L Terminal 5



3

10 (4) A / 250 VAC
 6 (4) A / 250 VAC - 5E4
 T125/55 °C - T125 °C
 EN 61058

10 A - 125 / 250 VAC
 1/3 HP - 125 VAC
 1/2 HP - 250 VAC
 T105 °C
 UL 1054
 CSA C22.2

1

black

2

white

X ?

custom

1

black

2

white

ILLUMINATED ☀

G

red

H

orange

E

green

L

white

X ?

custom

0

none

1

black

2

white

5

grey

7

light blue

8

red

9

orange

X ?

custom

0



1



2



3



5



C



K



Z



X

